



# VGA VIDEO SPLITTER

## 250MHz

**MSV602PH 2Port (1 In – 2 Outs)**  
**MSV604PH 4Port (1 In – 4 Outs)**  
**MSV608PH 8Port (1 In – 8 Outs)**

## USER MANUAL

Read this manual thoroughly, and follow the installation and operation procedures carefully to prevent any damage to the unit, and/or any of the devices connected to it.

This package contains:

- 1 MSV602PH or MSV604PH or MSV608PH Video Splitter
- 1 DC 9V Power Adapter
- 1 User Manual

### OVERVIEW

Broadcast to two (MSV602PH), four (MSV604PH) or eight (MSV608PH) monitors simultaneously with the VGA Video Splitter. Its built-in video extender ensures clear and sharp images as far as 200ft away from your CPU. Use the Video Splitter to enhance your presentations as well as broadcasting of real-time data. It is ideal for classrooms and training facilities, and remote security monitoring. To ensure the best video integrity, the Video Splitter has a high bandwidth of 250MHz and a cascade capability that provides for future expansion.

In addition, the Video Splitter can be daisy chained up to two levels to connect as many as 64 monitors, making it an excellent solution for public broadcast systems.

These video splitters are your best choice to achieve multiple high quality VGA, SVGA, or Multisync video signals over long distances.

### FEATURES

- Ultra-High 250 MHz bandwidth
- Enhances video signal for distances up to 200ft
- Works with analog flat panel & projector
- Connects VGA monitors up to 21ft
- Supports DDC, DDC2, DDC2B (Port 1 Only)
- Cascade capability provides for future expansion
- Compact design with metal casing and anti-skid feet
- One Year Limited Warranty

### Note:

1. If you connect a DDC type monitor to Video Out Port 1, all other monitors must be able to support the highest resolution of that DDC monitor.
2. These products are designed for VGA, SVGA, and Multisync monitors. They are not suitable for CGA, EGA, or MONO-type monitors, or those that use digital video signals like DVI or DFP.

### Recommended Cables:

CC320D Series - an HD15M/F triple shielded high quality video cable to connect your computer to the splitter, and to extend your monitor's or monitors' built-in cables to connect to the splitter ports. It is available in standard lengths of 3, 6, 10, 15, 25, 35, 50, 75 and 100ft. Bulk and Plenum-rated VGA cables are also available.

### SPECIFICATIONS

Function	Specification
Cable Distance (Device to Monitor)	200ft max.
Signal Type	VGA, SVGA, XGA, Multisync
Video Input Connectors	1 x HD15 Male
Operating Temperature	5 – 40° C
Storage Temperature	-20 – 60° C
Humidity	0 – 80% RH, Non-condensing
Housing	Metal

Function	602PH	604PH	608PH
DC 9V Power Consumption (Max.)	200mA	280mA	450mA
Video Output Connectors (HD15 Female)	2	4	8
Max. Resolution	1920 x 1440, 60Hz		
Bandwidth (-3db)	250 MHz		
Weight	420 g	455 g	680 g
Dimensions: mm (LxWxH)	130x75x42		200x75x42

### VIDEO-OUT PIN ASSIGNMENTS

No.	Assignment
1	Red video
2	Green video
3	Blue video
4	ID2
5	Ground
6	Analog Ground
7	Analog Ground
8	Analog Ground

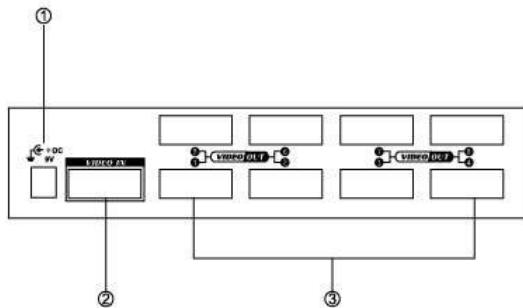
No.	Assignment
9	NC
10	Ground
11	ID0
12	ID1
13	Horizontal Sync
14	Vertical Sync
15	ID3

## FRONT VIEW



1. Power LED Lights to indicate the unit is receiving power.

## REAR VIEW



1. Power Jack  
Power Adapter cable plugs in here.
2. Video-In Port
  - If this is a First Stage unit, the cable from the PC's video port plugs in here.
  - If this is a Daisy Chained unit, the cable from the Video Out port of the higher stage unit plugs in here.
3. Video-Out Port  
The cables to the monitors can plug in to any available port.  
**Note:** 1. If you connect a DDC type monitor to Video Out Port 1, all other monitors must be able to support the highest resolution of that DDC monitor.  
2. The Front and Rear Views in the above diagrams are for MSV608PH. MSV602PH and MSV604PH will have two and four Video-Out Ports, respectively, instead of the eight Video-Out Ports as shown in the diagram.

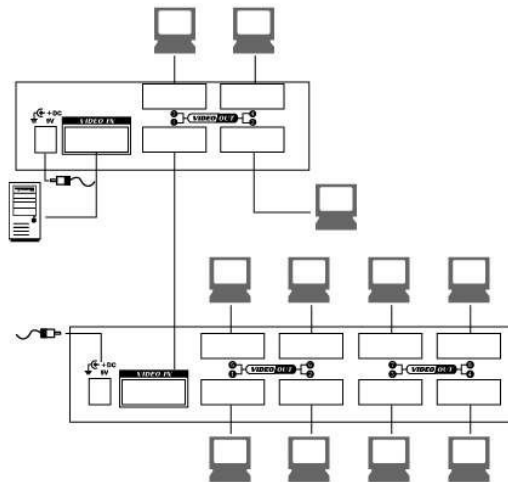
## INSTALLATION

1. Use a high density HD15 male/female video extender cable (CC320D) to connect the PC's video port to the **Video-In** port of the Video Splitter.
2. Use high density HD15 male/female video extender cables (CC320D) to connect the **Video-Out** ports of the Video Splitter to the monitors.
3. Plug the power adapter into an AC source and connect the other end of the adapter into the Video Splitter's Power Jack.
4. Turn on the Video Splitter; turn on the monitors; and turn on the PC.

## DAISY CHAINING

To provide video display for multiple monitors, additional Video Splitters are required to create a daisy chain. Use a high density HD15 male/female video extender cable (CC320D) to connect any available **Video-Out** port on the higher level Video Splitter to the **Video-In** port of the lower level Video Splitter.

You can chain up to **two levels** of Video Splitters as well as intermix the use of all three models on the same chain. The figure below shows a MSV604PH being daisy chained to an 8Port MSV608PH.



## RADIO & TV INTERFERENCE

**WARNING!!!** This equipment generates, uses, and can radiate radio frequency energy. If this product is not installed and used in accordance with the instruction manual, it may cause interference to radio communications. This equipment has been tested and found to comply with the limits for a Class A computing device pursuant to Subpart J of Part 15 of the FCC Rules & Regulations, which are designed to provide reasonable protection against such interference when operated in a commercial environment. Operation of this equipment in a residential area is likely to cause interference, in which case the user may be required to correct the interference at his/her own expense.

**For additional technical support or for the latest product information, please visit our website at: [www.qvs.com](http://www.qvs.com), or send an email to: [support@qvs.com](mailto:support@qvs.com).**

